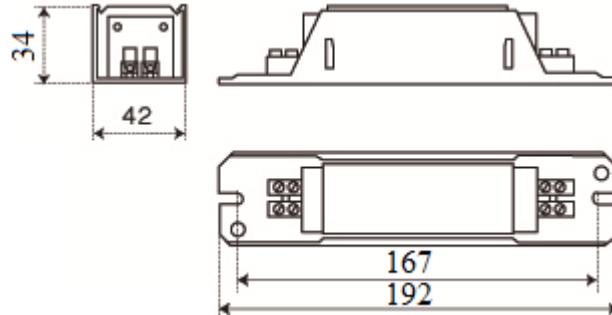


**HALOGEN TRANSFORMERS:  
TLA-60**



Power (VA)	Frequency (Hz)	Input voltage (V)	Output voltage (V)	Input current Max. (A)	Output current Max. (A)	Power factor
60	50/60	230	11,5	0,32	5	0,99

**Technical Characteristics:**

- ❖ Security transformers with separated winding
- ❖ Manufactured with double insulation to prevent any contact with low voltage components
- ❖ Ambient operating temperature : < 40°C
- ❖ Maximal operating temperature: < 70 °C
- ❖ Insulation group F (155 °C)
- ❖ Rolling-up group H (180 °C)
- ❖ Dielectric rigidity : > 2000 V
- ❖ Predict an external slow melting fuse of 0,25 A
- ❖ Safety Standards : NF EN-61 558-2-6 ; NF EN-61 558-2-4

**Wiring diagram:**

